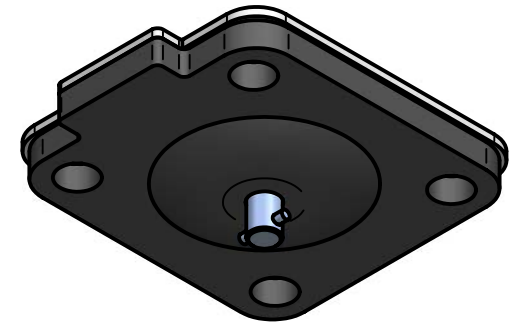
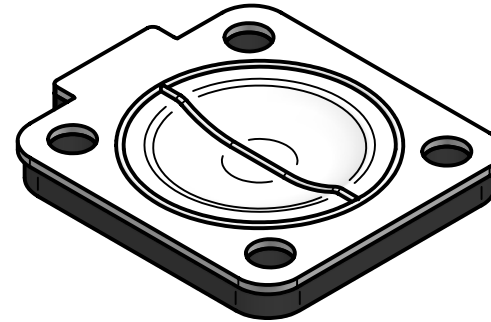



REVISION HISTORY

REV	DESCRIPTION	DATE	APPROVED
A	New OEM PART A-015EX-1/2"	08/03/22	JB



Replacement Diaphragm for :-
 OEM PART = A-015EX-1/2"
 USED ON 1/2" (DN15,) Diaphragm Valve

	NAME	DATE	DIAPHRAGM DIRECT	
DRAWN	M. MC KEON	03/08/22		
CHECKED				
Material - SILICONE BACKING TFM - DIAPHRAGM			TITLE DD05-STFM-X	
Complies with CFR 177.2600 and Conforms to USP Class VI Biological Reactivity Tests Section #87 and #88			SIZE A	FOOT PRINT DIMENSIONS REV A
FILE NAME: DD05-STFM-X.dft				
SCALE: 1 : 1		Job : 37	SHEET 1 OF 1	

Disclaimer - Diaphragm Direct® does not manufacture, represent, nor sell OEM valves or diaphragms manufactured by any other company. Diaphragm Direct® brand diaphragms are not sponsored by any other manufacturers. Any name, model, part number, brand, image, material or referral is for descriptive purposes only. Diaphragm Direct® brand replacement diaphragms are guaranteed to fit OEM equipment and meet or exceed OEM specifications. Diaphragm Direct® brand replacement diaphragms are covered by the standard Diaphragm Direct® limited product warranty.